

Event Number: _____

JUDGE'S BOOK FOR TRACKING
TD, TDX, AND VST
(Please Circle One)

Name of Club: _____

Date: _____ Judge: _____

Scheduled Drawing Time: _____ Total No. Dogs to be Judged: _____

Catalogue Numbers of Dogs Entered in the Test: _____

PROCEDURE FOR JUDGES TO FOLLOW

For each dog entered, a separate track shall be plotted by one or both Judges for a TD tracking test, by both Judges for a TDX and a VST tracking test. The tracks shall be plotted at least the day prior to the test and marked by flags that the tracklayer can readily follow on the day of the test.

A set of charts consisting of one original and three (3) copies of each track shall be prepared by each Judge, showing the approximate length in yards of each leg, major landmarks and boundaries, if any. The track is to be charted by a solid line and each Judge will mark with a broken line, the approximate course taken by the dog, then complete the data requested on the chart and sign each chart. A separate chart must be prepared in the same manner for each dog.

Each Judges shall mark a chart at the time the dog is tracking, so as to show the approximate course followed by the dog. The Judges shall sign his/her charts and show on each whether the dog passed or failed and whether all requirements of the TD, TDX or VST test were met.

Information on the chart shall also include the following: (See Sample Charts)

Dog's Catalog No.	Track No.	Total Yards
Total Yards Veg.	Total Yards Non-Vegetation	Passed/Failed
Articles	Breed/Sex	AKC Reg. No.
Ground Conditions	Time Tracklayer Started	
Obstacles/Surfaces	Time X-Tracklayer Started	
Dog's Starting Time	Dog's Finishing Time	
Weather Conditions	Wind Direction at the Start	

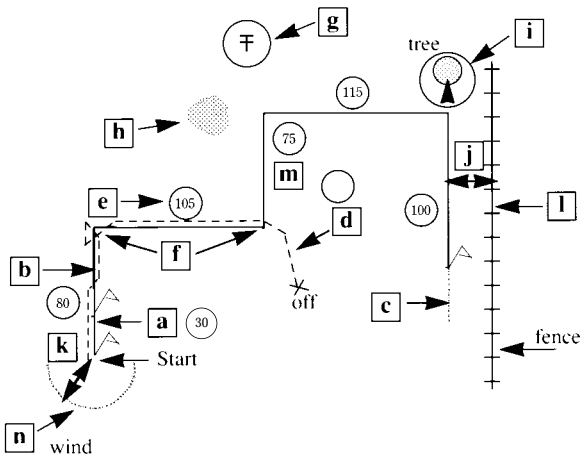
If a dog is not tracking, it shall not be marked "passed" even though it may have found the article(s).

Upon completion of the test, the Tracking Secretary shall forward the marked copies of the charts to The American Kennel Club, and keep one set for the club files. Each Judge will retain a copy of all charts.

Signature of Judge

Section 14. Sample Charts

TD Chart Information



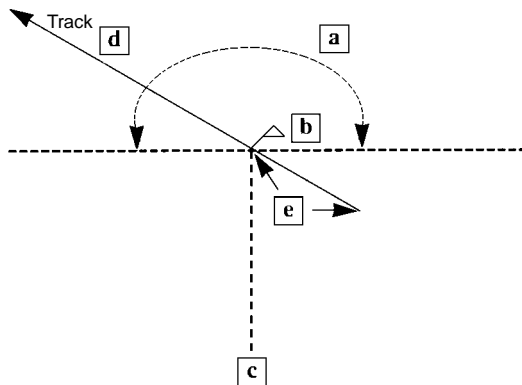
- a. 30 yards between the two starting flags.
- b. Must be more than 30 yards beyond the 2nd starting flag to the 1st turn.
- c. The tracklayer proceeds straight ahead for 30 yards, after dropping the article.
- d. Indicate dog's path with dashes (may use red).
- e. Circle distances between turns.
- f. Must have both right turns and left turns, at least two right angle turns well out in the open.
- g. Telephone pole used to indicate direction of leg.
- h. Rock used to indicate location of turn.
- i. Tree used to indicate direction of leg and location of turn.
- j. Track must be at least 15 yards from boundary or fence.
- k. Keep spectators 50 yards from the start.
- l. Indicate major features such as fences, roads, hills, slopes, vegetation, etc.
- m. Legs must be at least 50 yards long.
- n. Indicate direction of wind at start.

GENERAL COMMENTS FOR ALL CHARTS

1. Angles on the chart should be approximately the same as the angles on the track. The lengths of the legs should be approximately proportional to the legs of the track.
2. Keep copies of charts and field notes for at least six months. Charts should have sufficient details so that with the help of field notes the track could be reconstructed.
3. Use a pen to make the charts—make sure copies are clear.

One Way to Plot a TDX Start

- a. Judges determined an arc of 180 degrees. It should be possible for the track to go in any direction in this arc.
- b. Judges put in the starting flag.
- c. Judges set the path of handler and dog's approach perpendicular to the arc.
- d. Judges determine the direction of the track.
- e. Judges make sure the tracklayer approaches the starting flag straight along the direction of the track for at least 30 yards.



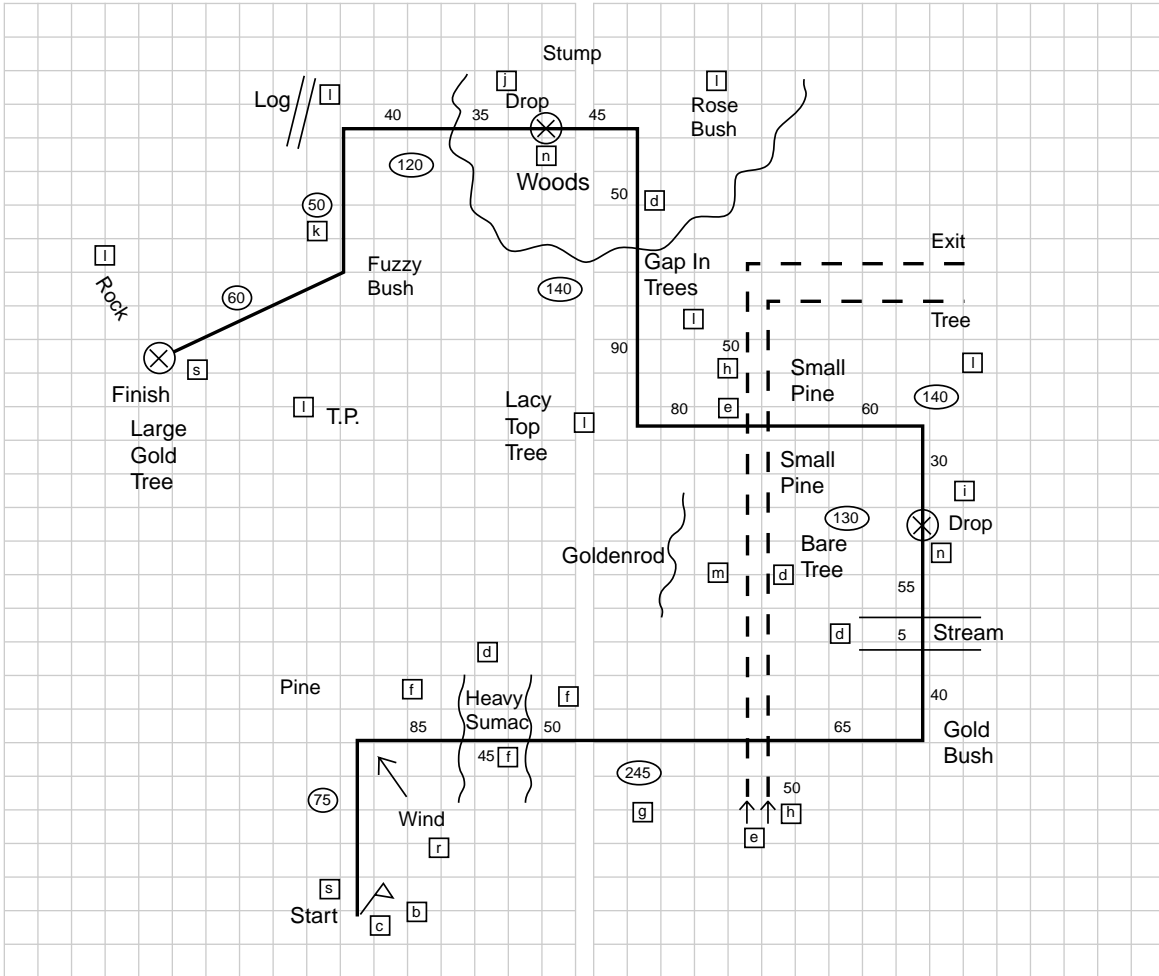
TDX Chart Information

- a. 30 yard straight in approach to start flag for tracklayer.
- b. 180 degree arc, if possible, for direction of the 1st leg.
- c. Handler and dog approach at less than 90 degrees to the direction of the tracklayer.
- d. Obstacle clearly identified and yards indicated.
- e. Crosstrack has direction and shall be more than 30 yards from obstacle, 50 yards from a turn and more than 75 yards from the Start, including the entrance and exit of the tracklayer.
- f. Each segment of the leg marked with yards.
- g. Total yards for each leg circled.
- h. Cross tracklayers proceed 50 yards in a straight line before the first crossing of the track, and more than 50 yards after 2nd crossing before exiting.
- i. Article shall be dropped more than 30 yards from a turn, obstacle or crosstrack.
- j. Drop in woods is more than 30 yards from turn and 30 yards from the exit of the woods that are the obstacle.
- k. Minimum length of any leg is 50 yards.
- l. Landmarks and turn markers are clearly indicated.
- m. Crosstracks are widely separated.
- n. Articles are widely separated.
- o. Tracks contain maximum of 7 turns.
- p. Tracks contain 3 obstacles if possible, with 2 being the minimum.
- q. Track meets the yardage requirement of 800 to 1000 (960).
- r. Wind direction at the start is indicated.
- s. Start and finish are clearly marked.
- t. Chart contains the Registration Number of the dog.

TDX Chart

DOG'S CATALOG # 1 TRACK# 1 TOTAL YARDS 960

Chart the track in solid line; the dog's course in broken line on graph below.



Passed or Failed Passed
 (if failed state reason)
 Tracklayer Started 7:00 A.M.
 X-Tracklayer Started 8:30 A.M.
 Dog's Starting Time 10:00 A.M.
 Dog's Finishing Time 10:25 A.M.
 Ground Conditions Medium Dry
 Weather Conditions Cool and Sunny
 Wind Speed Light

Articles: 1. Sock 2. Slipper
 3. Handkerchief 4. Glove
 Obstacles/
 Surfaces: 1. Heavy Sumac 2. Stream
 3. Woods 4. _____
 Breed/Sex German Shepherd
 AKC Regis.# D00000000
 Event # 200000000

If dog is absent, mark "absent" on the page.

I hereby certify that I have judged the above dog after having read the instructions on the cover of this book and followed them out to the best of my ability.

Joseph Tracker

Judge's Signature

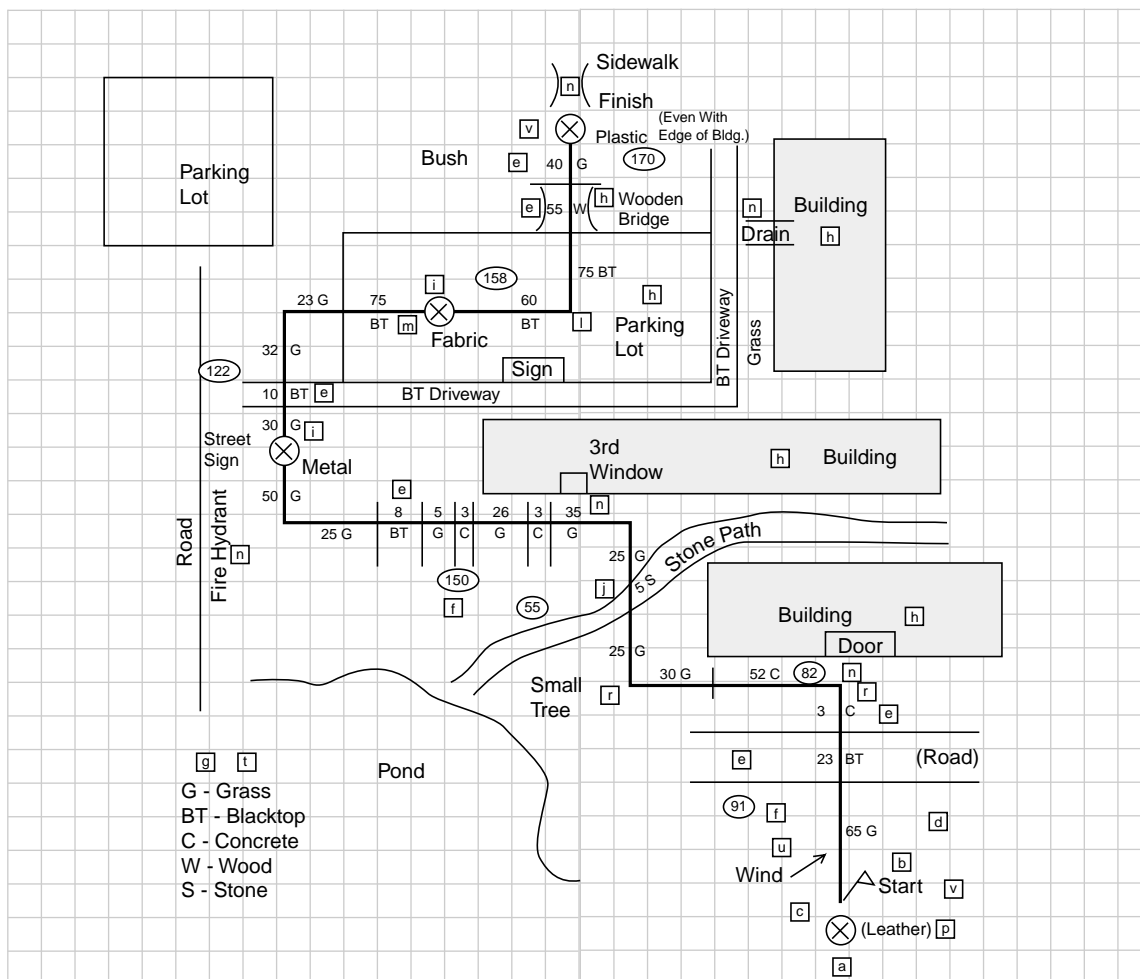
VST Chart Information

NOTES

- a. 30 yards straight in approach to start flag for tracklayer.
- b. 180 degree arc, if possible, for direction of the 1st leg.
- c. Handler and dog approach at less than 90 degrees to the direction of the tracklayer.
- d. Start and first 20 yards is on grass.
- e. Each change of surface is clearly marked as to type of surface and yards for each change of surface.
- f. Total yards for each leg is circled.
- g. At least 3 different surfaces, including 1 vegetated and 2 non-vegetated were used.
- h. All major structures are clearly identified, i.e., buildings, roadways, parking lots and bridges.
- i. Drop is more than 10 yards from a turn.
- j. There is no drop on any short connecting leg.
- k. Minimum length of any leg is 30 yards.
- l. The nonfringeable, moment of truth, hard surface turn meets the requirements.
- m. Drop number 2 or 3 is on a non-vegetated surface.
- n. Landmarks and turn markers are clearly indicated.
- o. Articles are widely separated.
- p. Start article must be fabric or leather.
- q. Track contains at least 4 but not more than 8 turns.
- r. Track contains both right angle and left angle turns (90 degree turns).
- s. Track meets the yardage requirements of 600 – 800 (783).
- t. Track is comprised of 47.5% non-vegetated surfaces (track requires 33 1/3%-50%).
- u. Wind direction at the start is indicated.
- v. Start and finish are clearly marked.
- w. Chart contains the Registration Number of the dog.
- x. Chart has a legend.

VST Chart

DOG'S CATALOG # 1 TRACK# 1 TOTAL YARDS 783 VEG 411
 Chart the track in solid line; the dog's course in broken line on graph below. NON-VEG 372



Passed or Failed Passed
 (if failed state reason)
 Tracklayer Started 8:00 A.M.
 X-Tracklayer Started _____
 Dog's Starting Time 11:00 A.M.
 Dog's Finishing Time 11:52 A.M.
 Ground Conditions Variable-Office Complex
 Weather Conditions Warm Cloudy
 Wind Speed Moderate

Articles: 1. Leather 2. Metal
 3. Fabric 4. Plastic
 Obstacles/
 Surfaces: 1. Grass 2. Blacktop
 3. Wood 4. Concrete
 Breed/Sex Golden Retriever - Bitch
 AKC Regis.# SN00000000
 Event # 2000000000

If dog is absent, mark "absent" on the page.

I hereby certify that I have judged the above dog after having read the instructions on the cover of this book and followed them out to the best of my ability.

Joseph Tracker

Judge's Signature

Sample TD / TDX / VST

DOG'S CATALOG # _____ TRACK# _____ TOTAL YARDS _____ VEG _____
 Chart the track in solid line; the dog's course in broken line on graph below. NON-VEG _____

The grid consists of two side-by-side sections, each 20 columns wide and 30 rows high. The left section is for charting the track, and the right section is for charting the dog's course.

Passed or Failed _____
 (if failed state reason) _____
 Tracklayer Started _____
 X-Tracklayer Started _____
 Dog's Starting Time _____
 Dog's Finishing Time _____
 Ground Conditions _____
 Weather Conditions _____
 Wind Speed _____

Articles: 1. _____ 2. _____
 3. _____ 4. _____
 Obstacles/
 Surfaces: 1. _____ 2. _____
 3. _____ 4. _____
 Breed/Sex _____
 AKC Regis.# _____
 Event # _____

If dog is absent, mark "absent" on the page.

I hereby certify that I have judged the above dog after having read the instructions on the cover of this book and followed them to the best of my ability.

 Judge's Signature